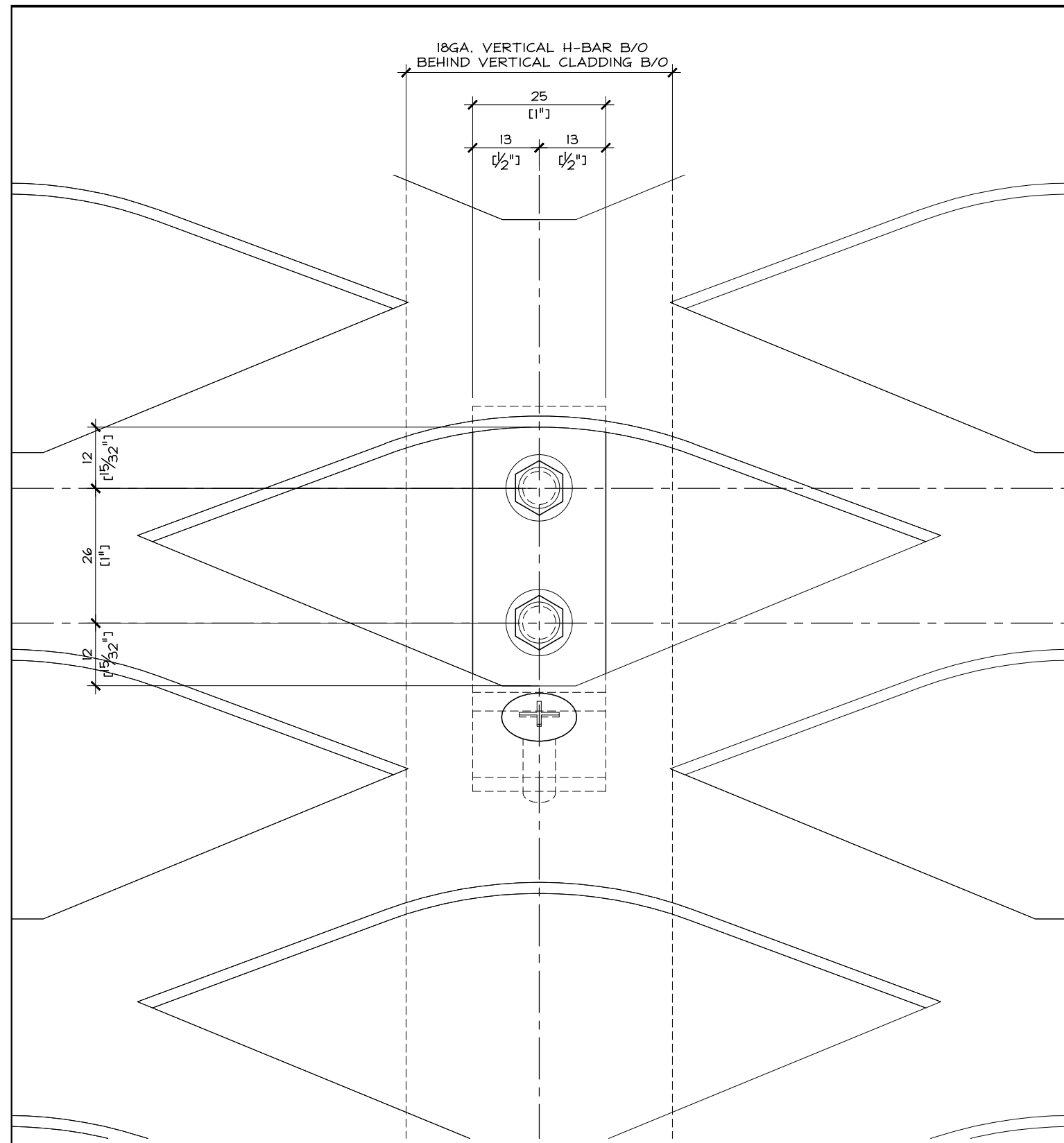
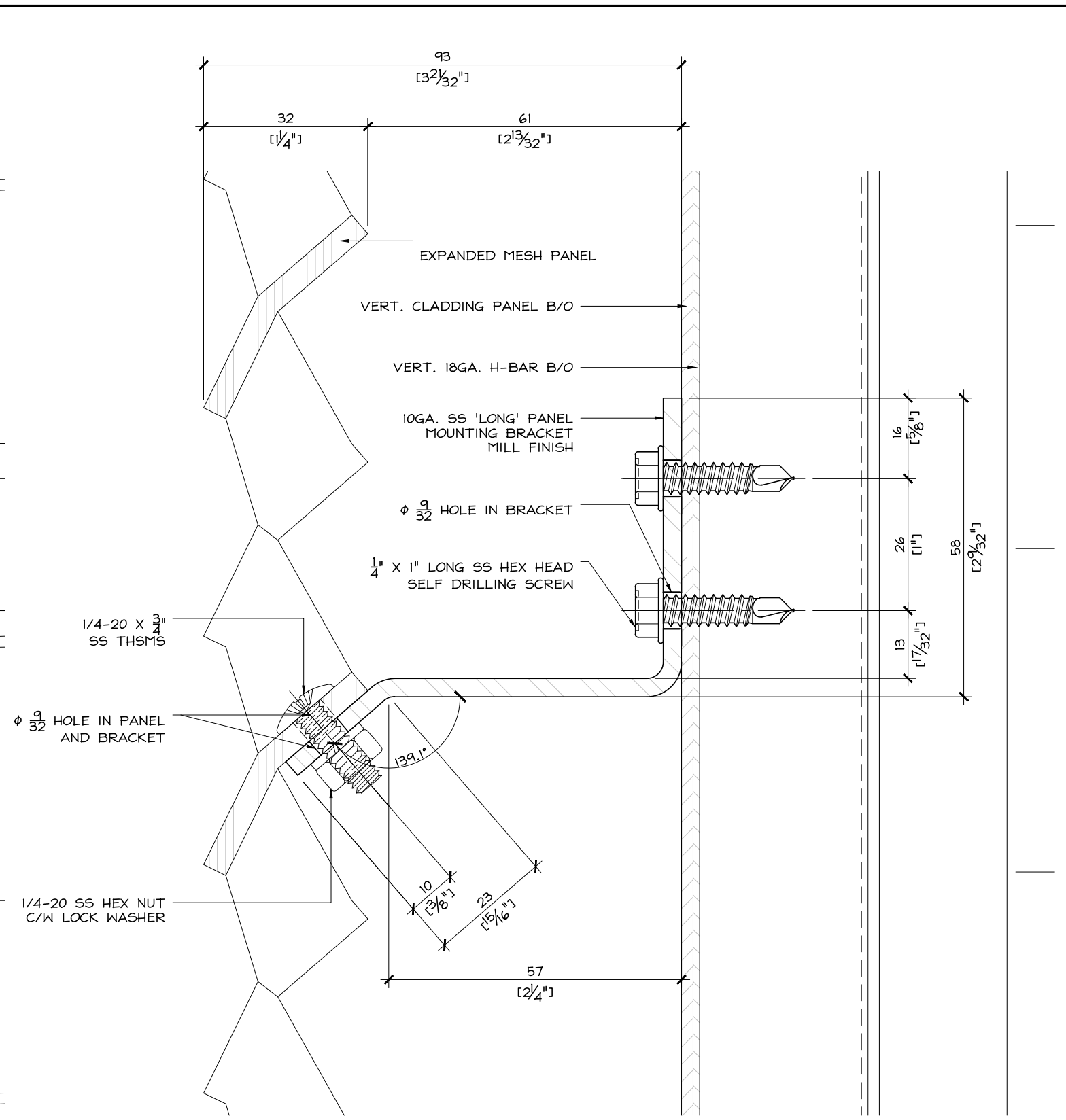




SHORT AND LONG CLIP DETAIL



1 ELEVATION DETAIL
SCALE: 1:1



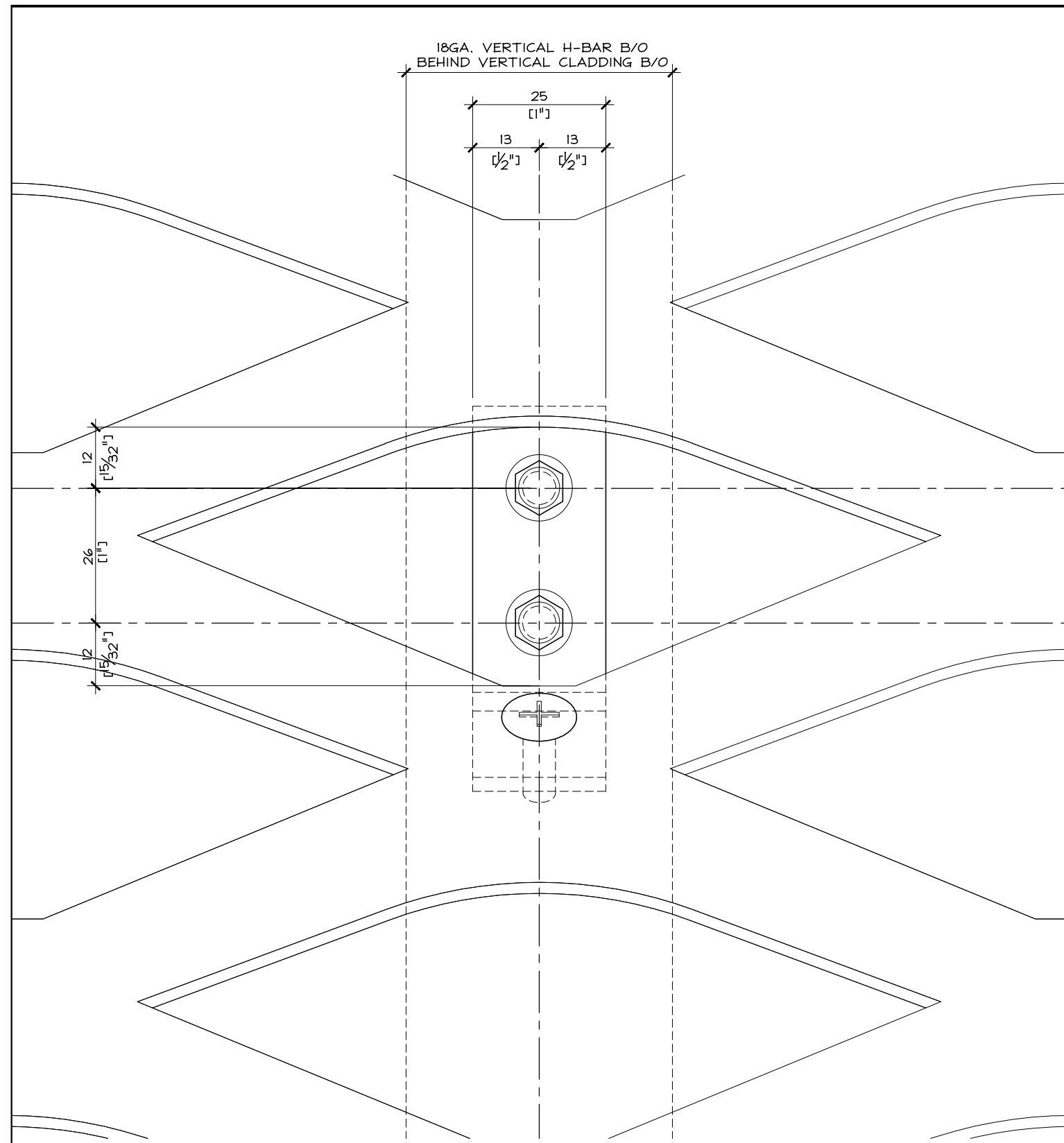
2 SECTION DETAIL
SCALE: 1:1

No.	DESCRIPTION	DATE
REVISIONS		

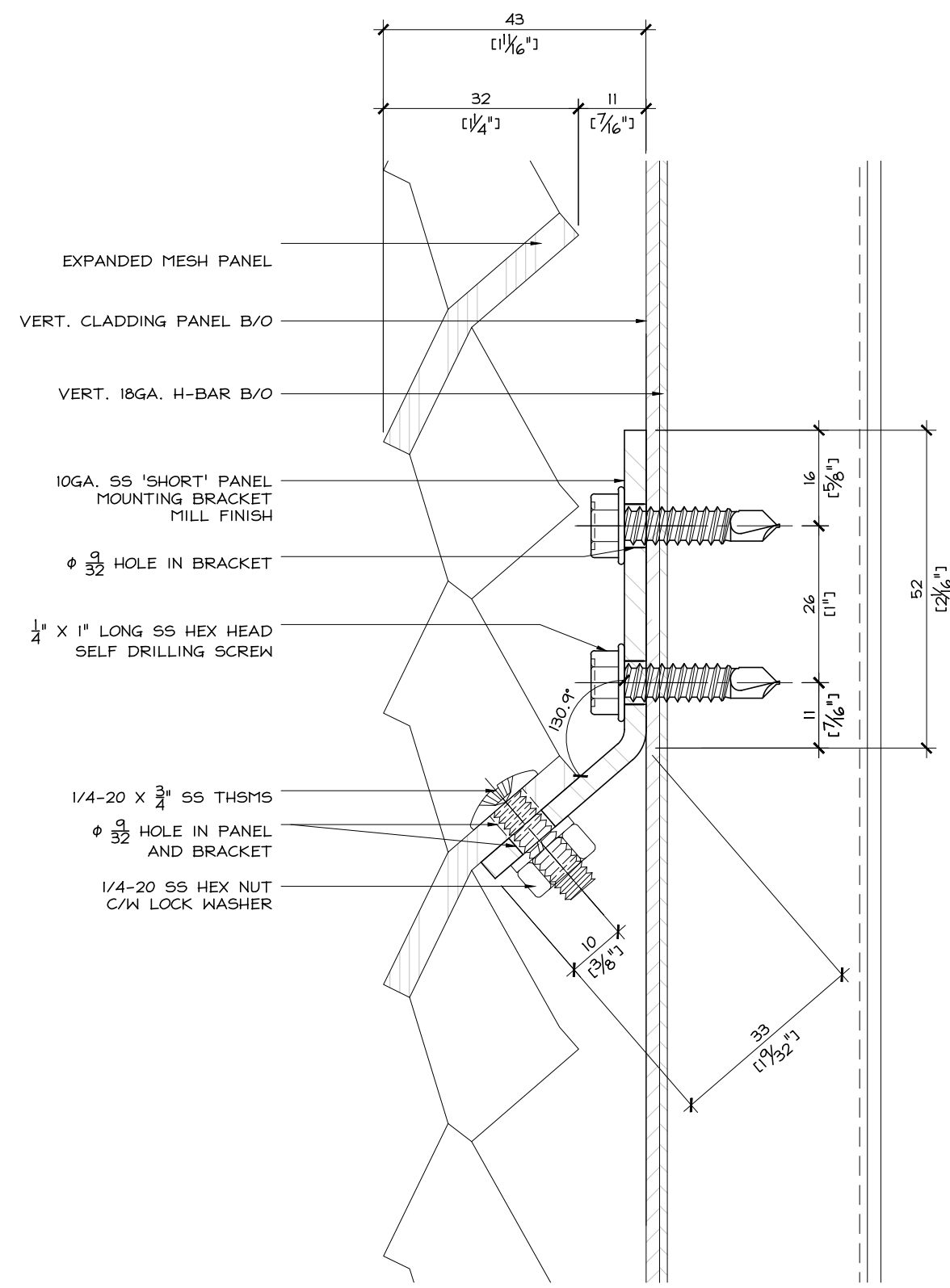


Customer:
Drawing Title: **Long clip detail**

Project Name:
Scale: Project No.: Date:
Drawn By: Checked By: Dwg. No.:



1 ELEVATION DETAIL
SCALE: 1:1



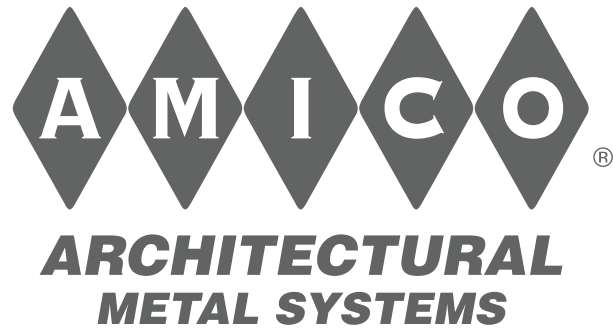
2 SECTION DETAIL
SCALE: 1:1

No.	DESCRIPTION	DATE
REVISIONS		



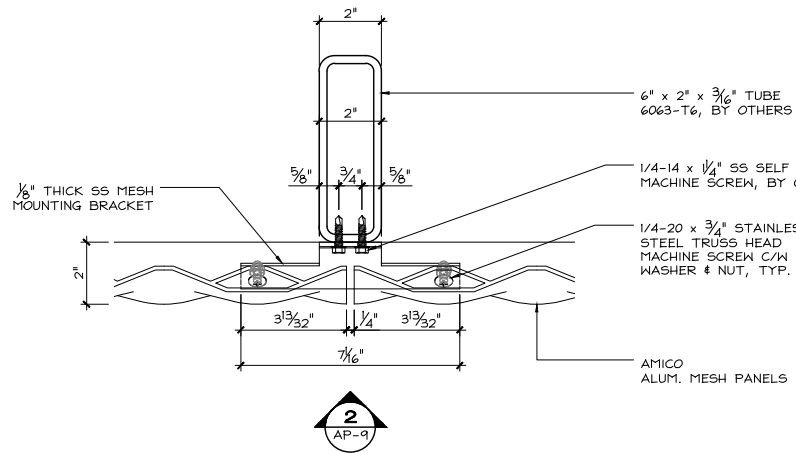
Customer:
Drawing Title: **Short clip detail**

Project Name:
Scale:
Project No.:
Date:
Drawn By:
Checked By:
Dwg. No.:



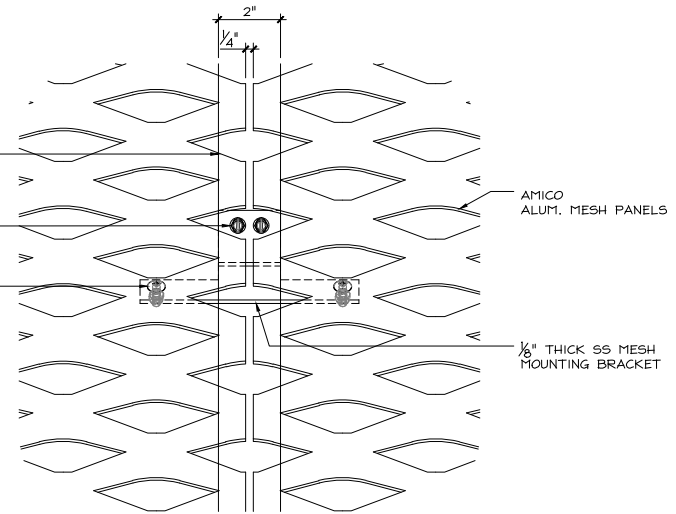
T-MOUNT CLIP DETAIL

2
AP-10



1 "T" BRACKET - PLAN VIEW
SCALE: 3"=1'-0"

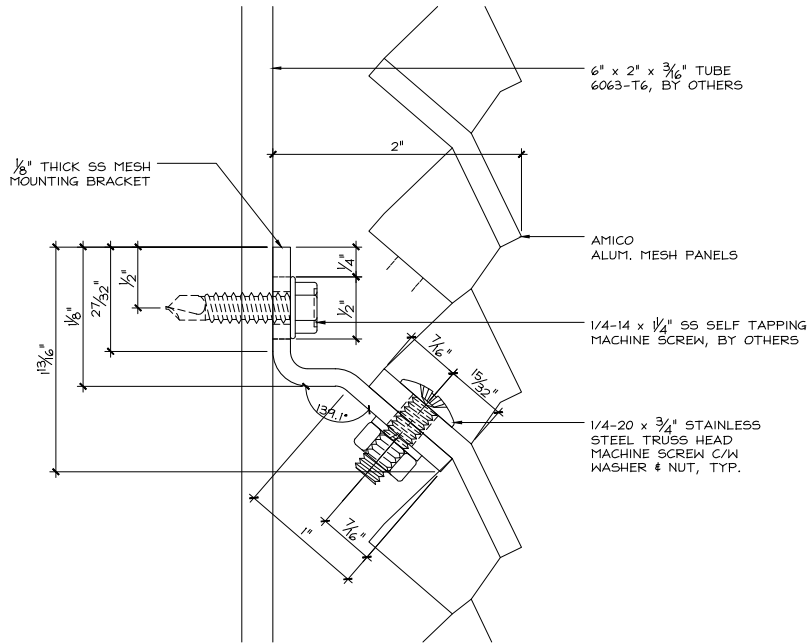
2
AP-9



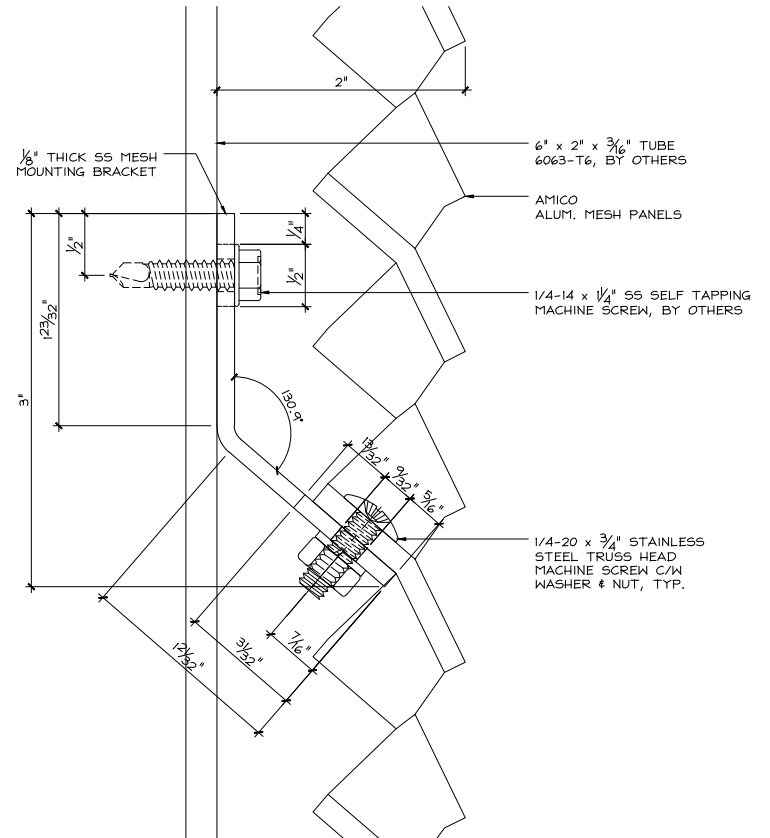
2 "T" BRACKET ELEVATION
SCALE: 3"=1'-0"



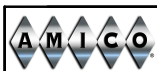
Customer:	Project Name:		
Drawing Title: ELEVATION & PLAN OF "T" MOUNTING BRACKET	Scale:	Project No.:	Date:
	Drawn By:	Checked By:	Dwg. No.:



2 SIDE VIEW
SCALE: 1'-0"=1'-0"



2 T BRACKET - SIDE VIEW
SCALE: 1'-0"=1'-0"

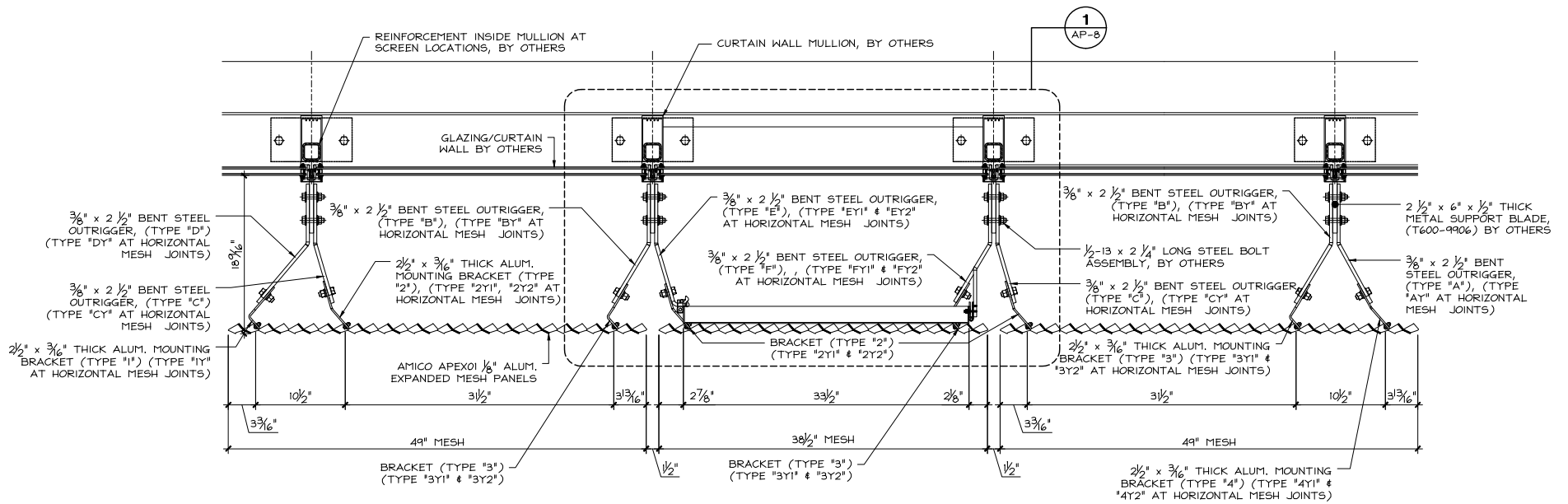


Customer:	Project Name:		
Drawing Title: SIDE VIEWS OF MOUNTING BRACKETS	Scale:	Project No.:	Date:
	Drawn By:	Checked By:	Dwg. No.:



CLIP TO MULLION

AMICOARCH.COM



1 PLAN SECTION AT TRIPLE PANELS
SCALE: 1"=1'-0"

PLAN SECTION AT Y BRACKETS



Customer: **AMICO DRAMEX**
Drawing Title: TYPICAL PLAN SECTION

Project Name:

Scale: 1"=1'-0"

Project No.: 16-1522.1

Date:

Drawn By: S.N.

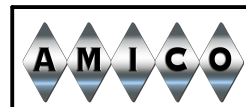
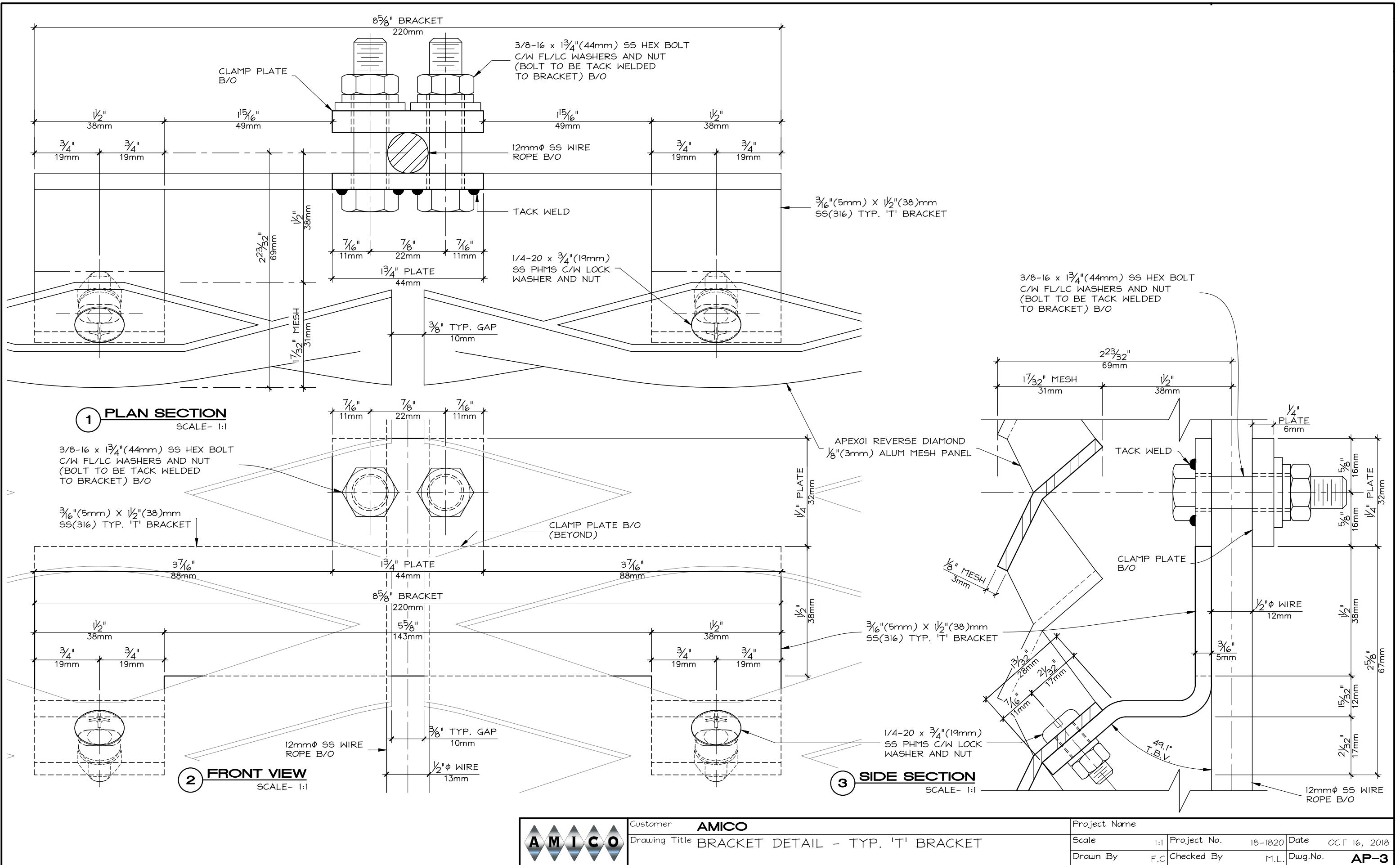
Checked By: M.L.

Dwg. No.:



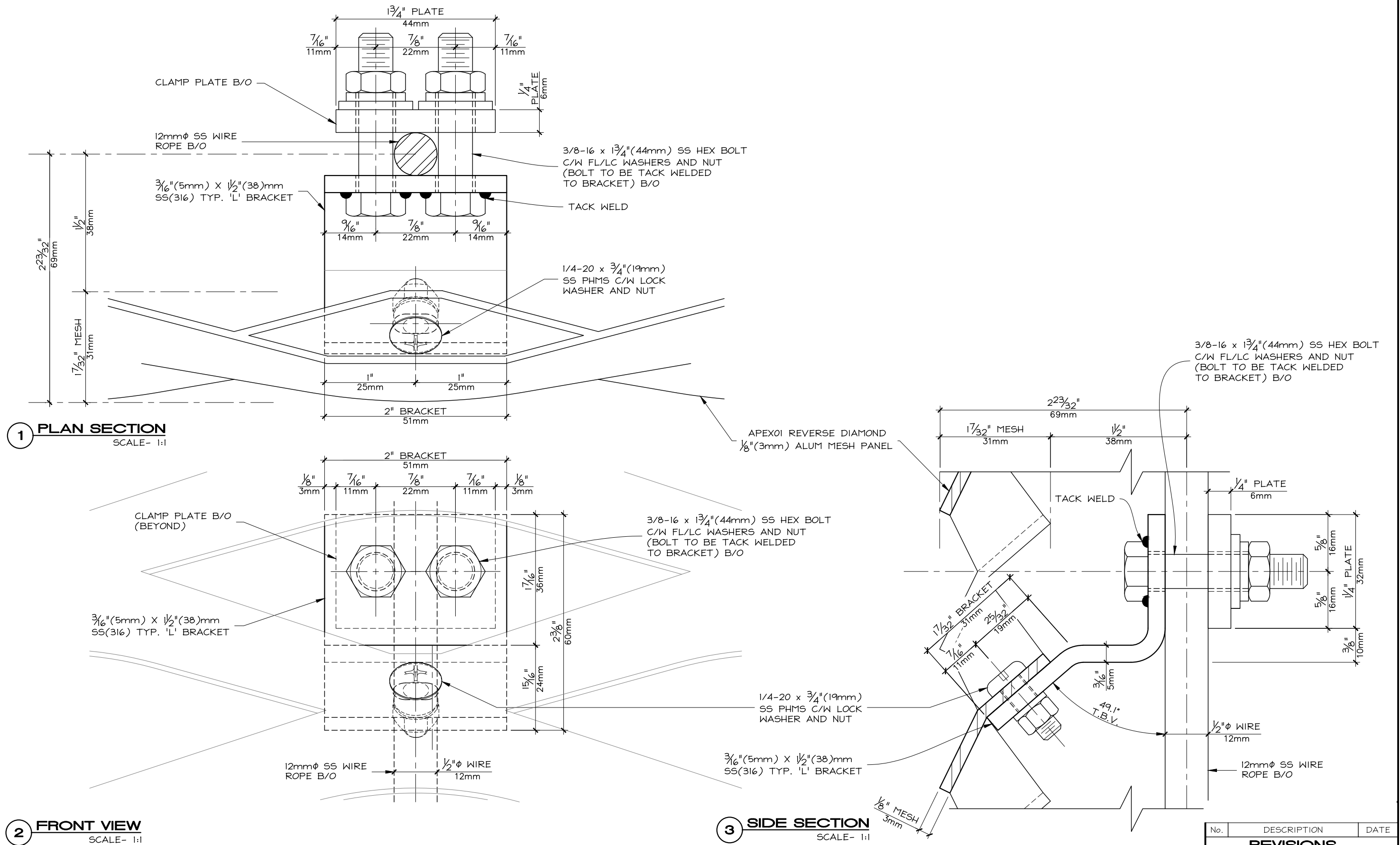
CLIP TO CABLE DETAIL

AMICOARCH.COM



Customer **AMICO**
Drawing Title **BRACKET DETAIL - TYP. 'T' BRACKET**

Project Name			
Scale	1:1	Project No.	18-1820
Drawn By	F.C	Date	OCT 16, 2018
Checked By	M.L.	Dwg.No.	AP-3



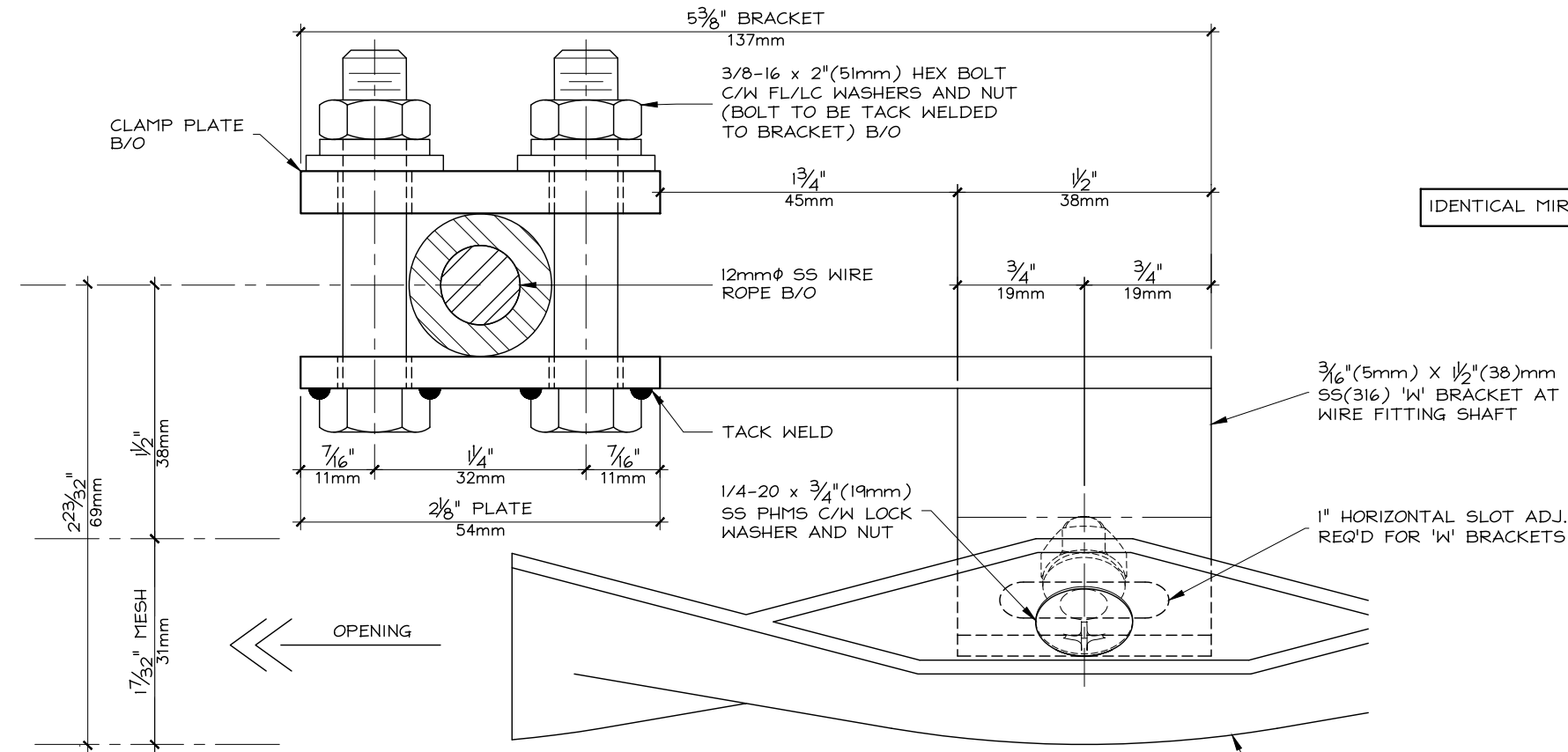
1 PLAN SECTION
SCALE- 1:1

2 FRONT VIEW
SCALE- 1:1

3 SIDE SECTION
SCALE- 1:1

No.	DESCRIPTION	DATE
REVISIONS		

AMICO	Customer	AMICO		Project Name	
	Drawing Title	BRACKET DETAIL - TYP. 'L' BRACKET		Scale	1:1
				Project No.	18-1820
				Date	OCT 16, 2018
				Drawn By	F.C
				Checked By	M.L.
				Dwg.No.	AP-4



IDENTICAL MIRROR IMAGE CONNECTION EXISTS FOR 'W' BRACKET AT WIRE FITTING SHAFT

1 PLAN SECTION
SCALE- 1:1

3/8-16 x 2" (51mm) SS HEX BOLT
C/W FL/LC WASHERS AND NUT
(BOLT TO BE TACK WELDED
TO BRACKET) B/O

3/16" (5mm) X 1/2" (38mm)
SS(316) 'W' BRACKET AT
WIRE FITTING SHAFT

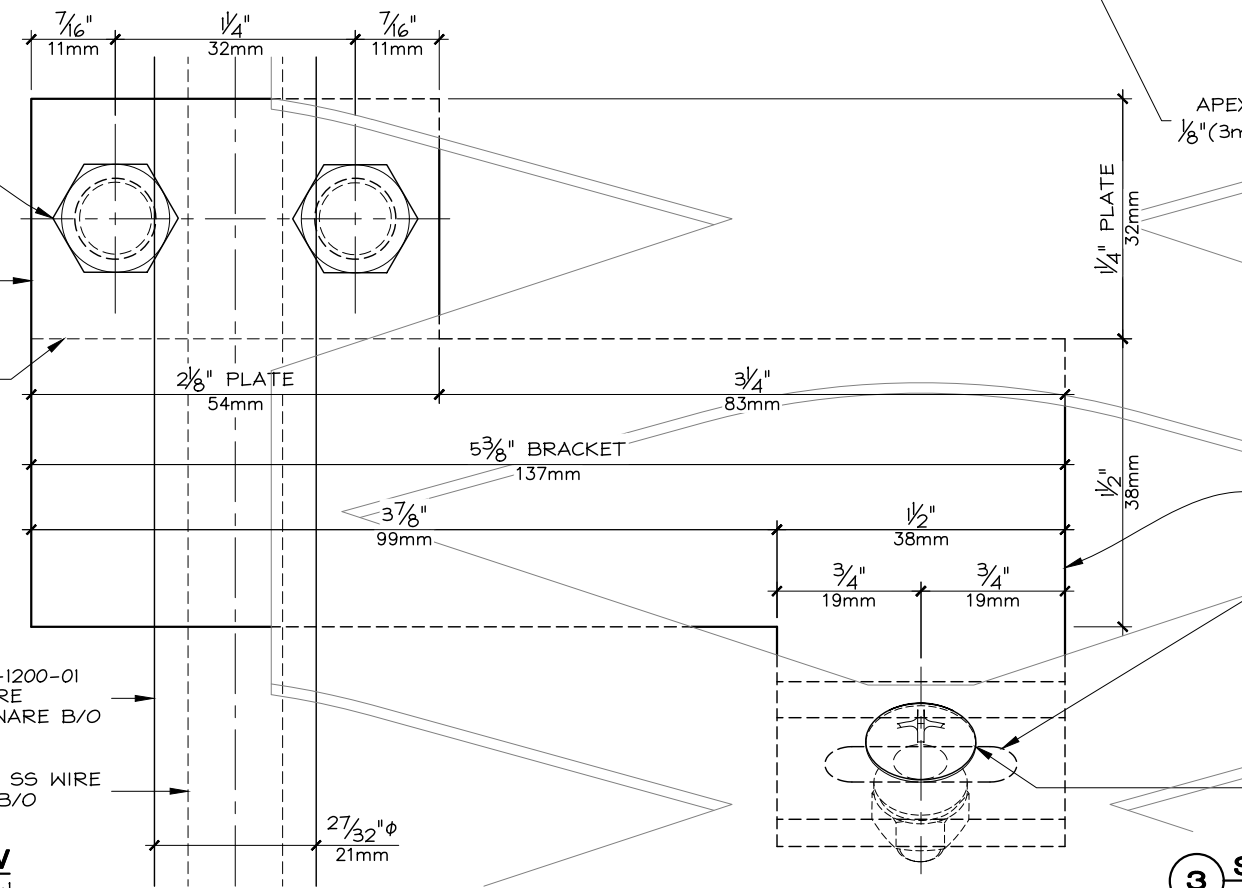
CLAMP PLATE B/O
(BEYOND)

OPENING

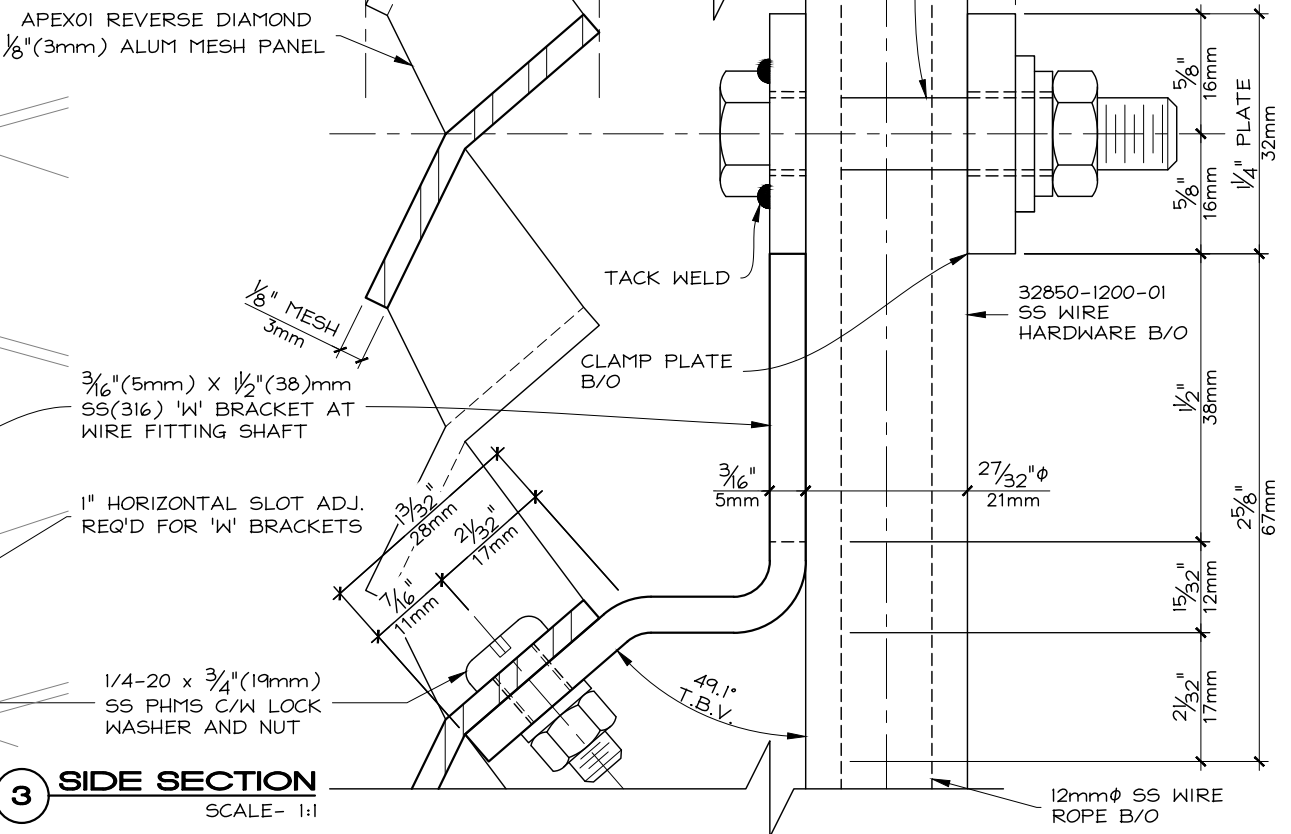
2 FRONT VIEW
SCALE- 1:1

32850-1200-01
SS WIRE
HARDWARE B/O

12mmφ SS WIRE
ROPE B/O

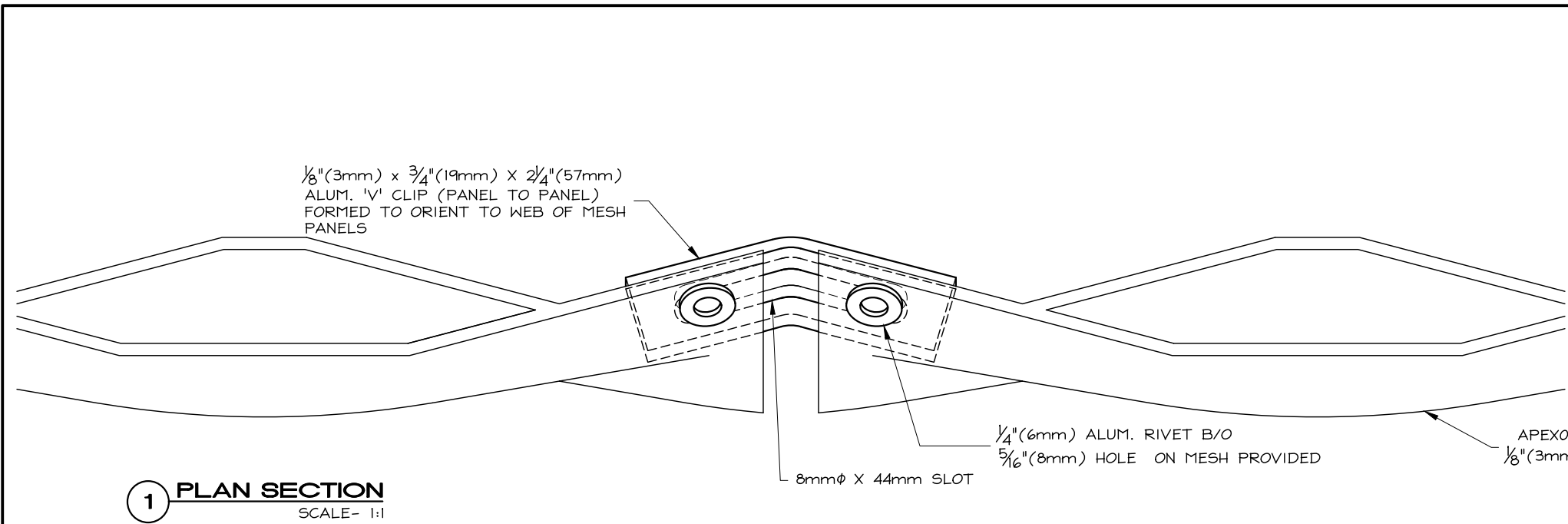


3 SIDE SECTION
SCALE- 1:1

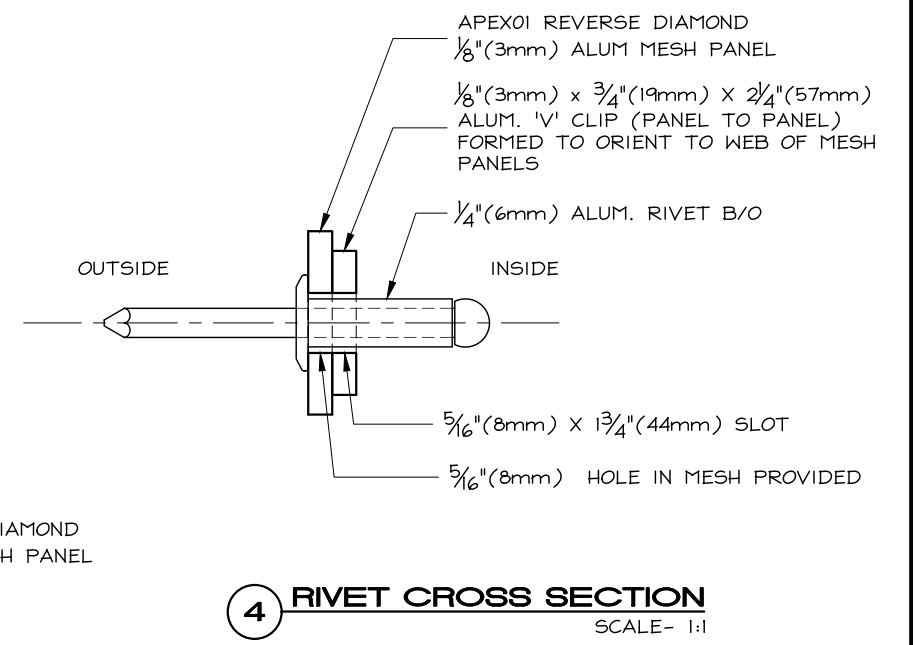


Customer **AMICO**
Drawing Title **'W' BRACKET DETAIL AT WIRE FITTING SHAFT**

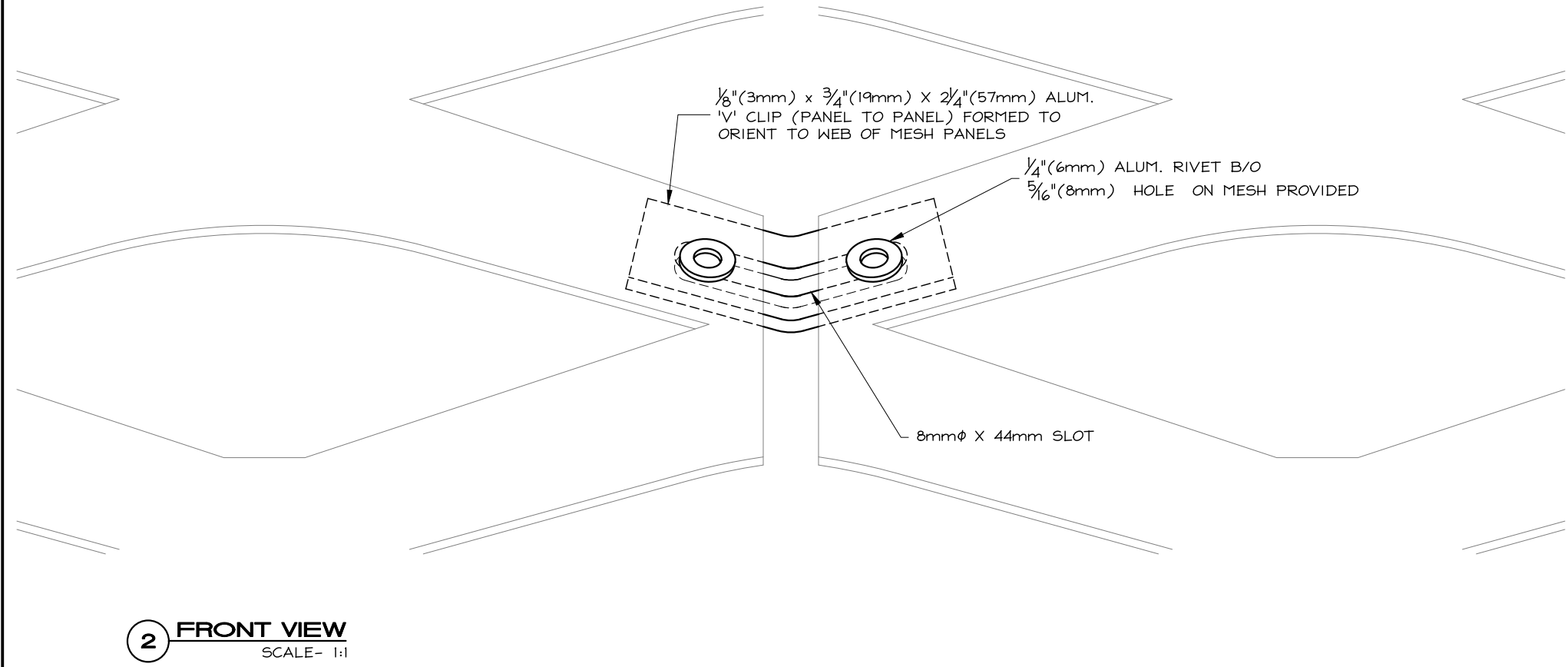
Project Name			
Scale	1:1	Project No.	18-1820
Drawn By	F.C	Date	OCT 16, 2018
Checked By	M.L.	Dwg.No.	AP-8



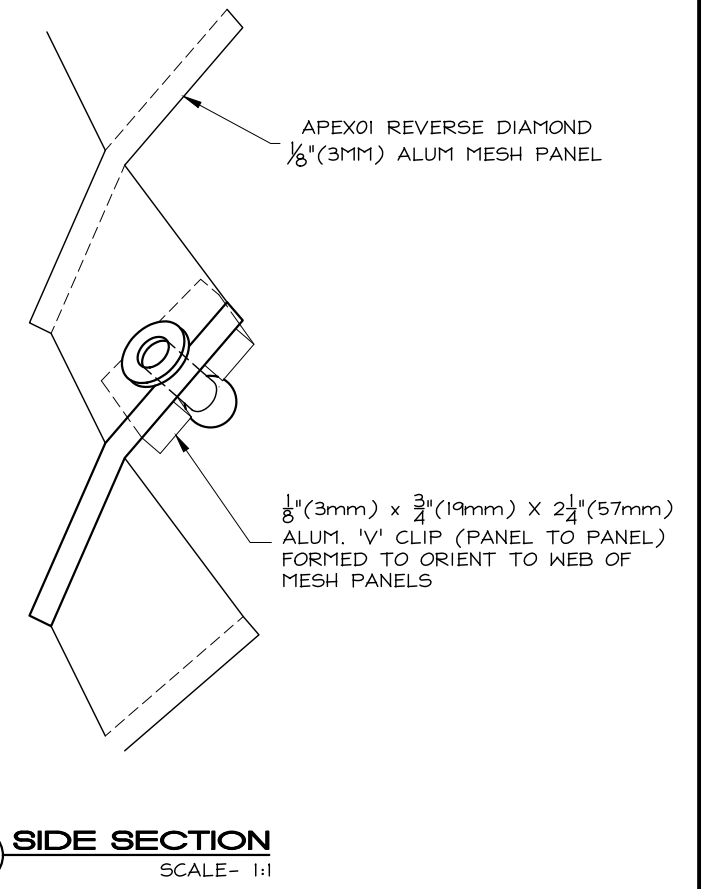
1 PLAN SECTION
SCALE- 1:1



4 RIVET CROSS SECTION
SCALE- 1:1



2 FRONT VIEW
SCALE- 1:1



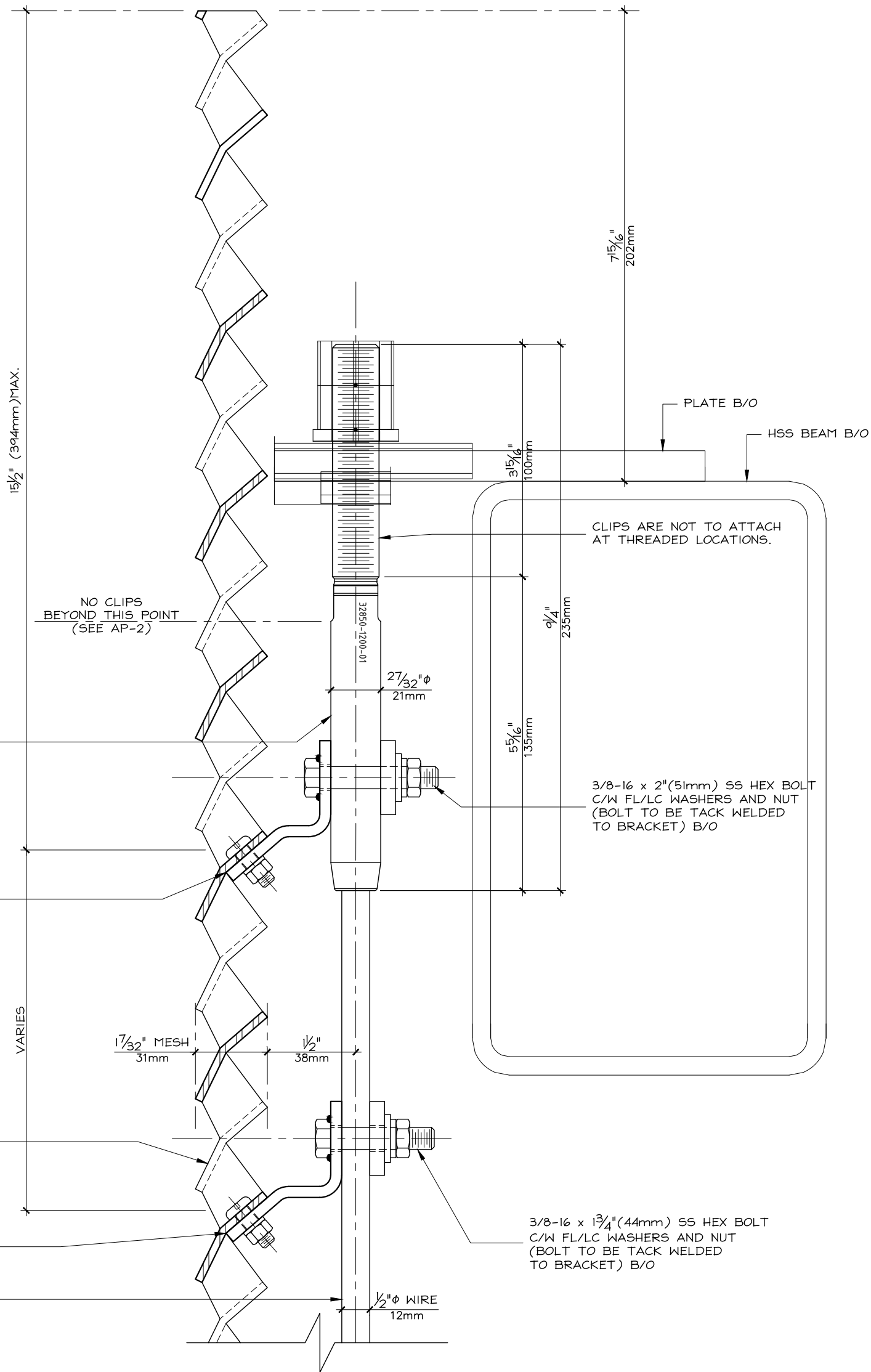
3 SIDE SECTION
SCALE- 1:1

No.	DESCRIPTION	DATE
REVISIONS		



Customer **AMICO**
Drawing Title **'V' CLIP (PANEL TO PANEL)**

Project Name
Scale 1:1 Project No. 18-1820 Date OCT 16, 2018
Drawn By F.C Checked By M.L. Dwg.No. **AP-9**



1 SECTION AT TOP FASTENING LOCATIONS
SCALE- 1:2

No.	DESCRIPTION	DATE
REVISIONS		



Customer **AMICO**
Drawing Title SECTION AT TOP WIRE FITTING SHAFT

Project Name
Scale 1:2 Project No. 18-1820 Date OCT 16, 2018
Drawn By F.C Checked By M.L. Dwg.No. **AP-10**

