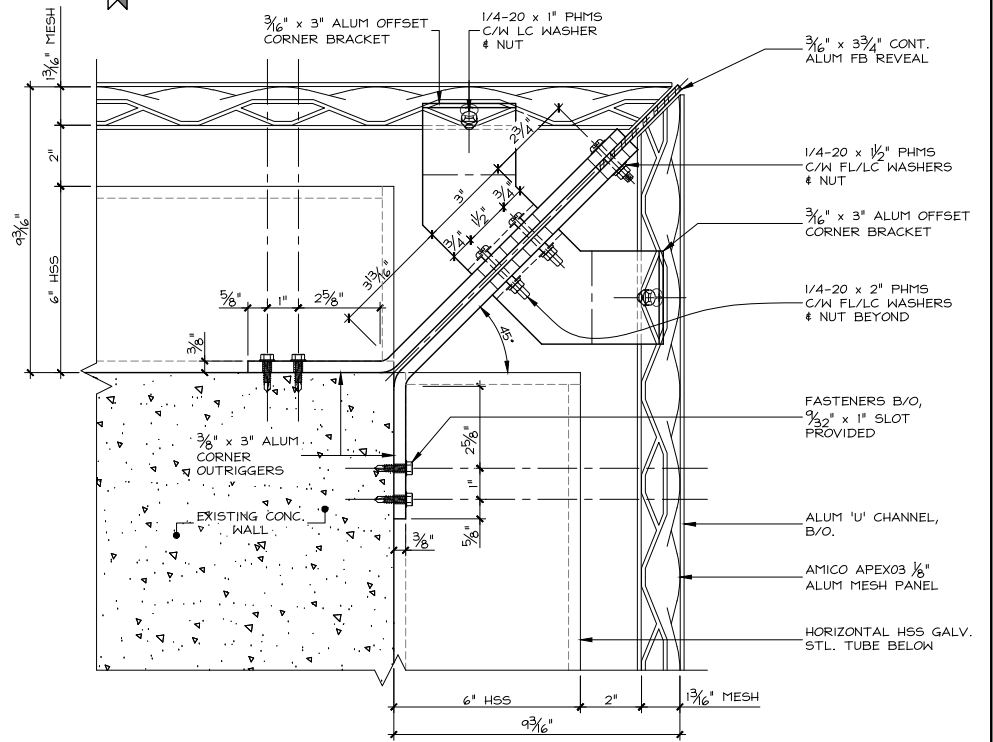
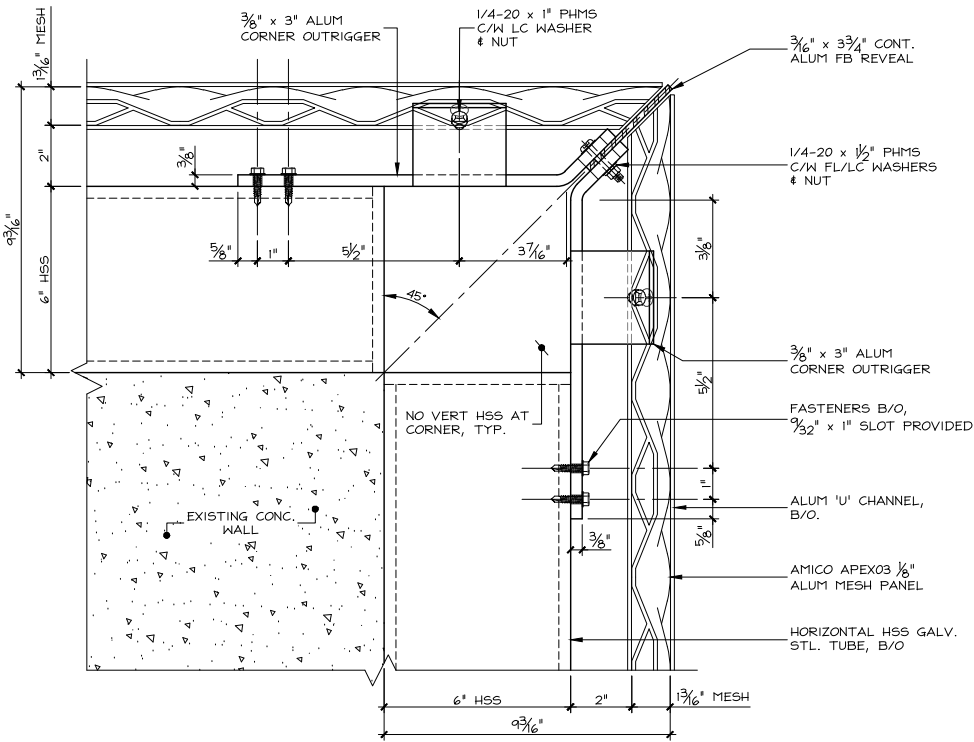
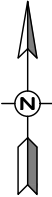




SAMPLE OF VARIOUS TRIM DETAILS

FASTENING LOCATIONS ALIGN WITH OPENINGS IN MESH TYP.



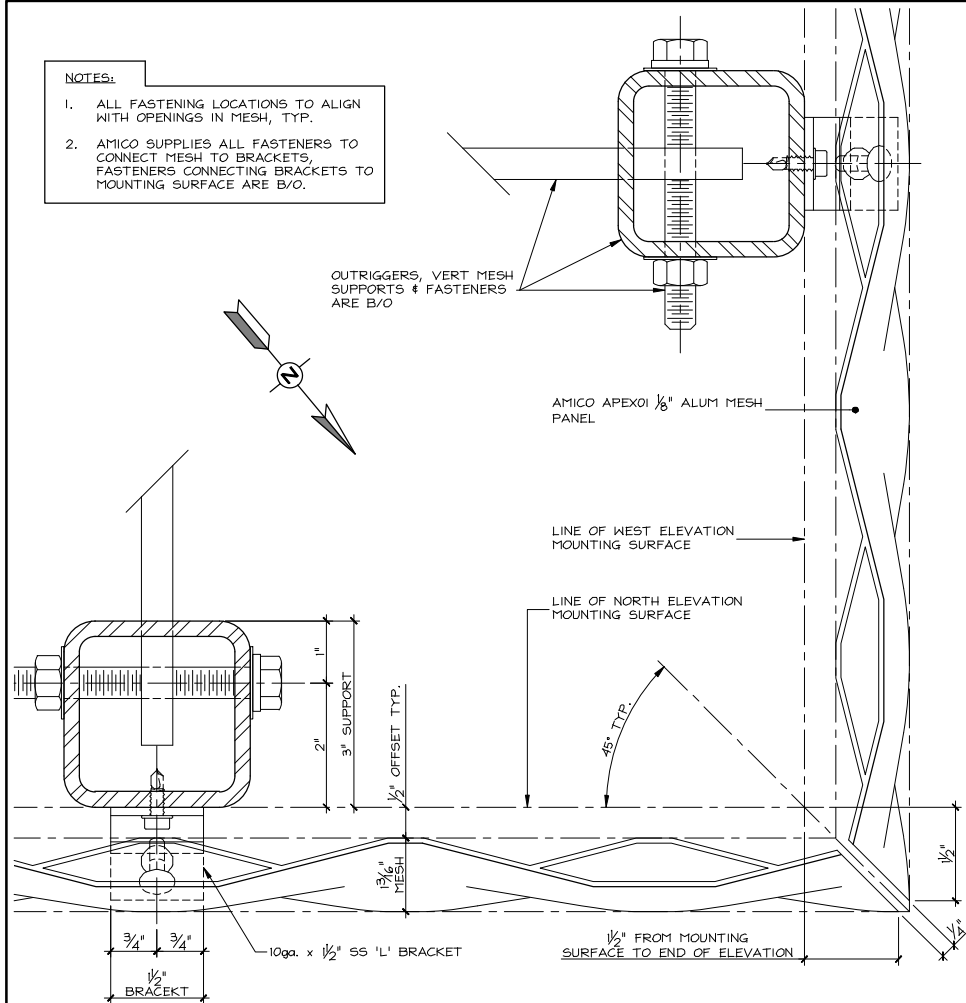
1 PLAN SECTION - AT HSS
SCALE: 3"=1'-0"

2 PLAN SECTION - AT CONC.
SCALE: 3"=1'-0"

	Customer	AMICO		Project Name		
	Drawing Title	PLAN SECTION		Scale	3"=1'-0"	
				Project No.	17-1729	
			Drawn By	M.L.	Checked By	D.C.B.
					Date	JAN. 8, 2018
					Dwg.No.	AP-11

NOTES:

1. ALL FASTENING LOCATIONS TO ALIGN WITH OPENINGS IN MESH, TYP.
2. AMICO SUPPLIES ALL FASTENERS TO CONNECT MESH TO BRACKETS, FASTENERS CONNECTING BRACKETS TO MOUNTING SURFACE ARE B/O.

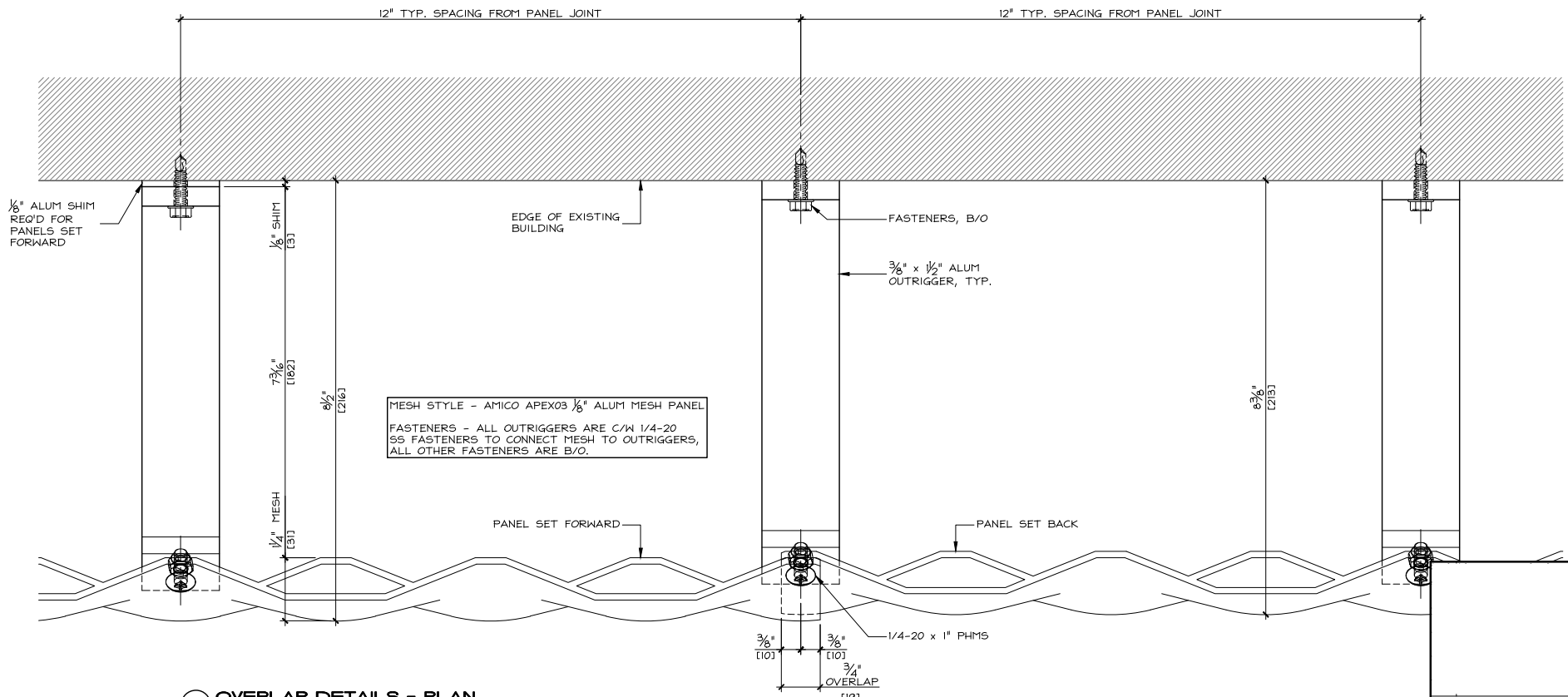


1 TYP. CORNER DETAIL - PLAN VIEW
SCALE: 6"=1'-0"



Customer
Drawing Title **Corner detail**

Project Name		Date	
Scale	Project No.	Date	
Drawn By	Checked By	Dwg.No.	



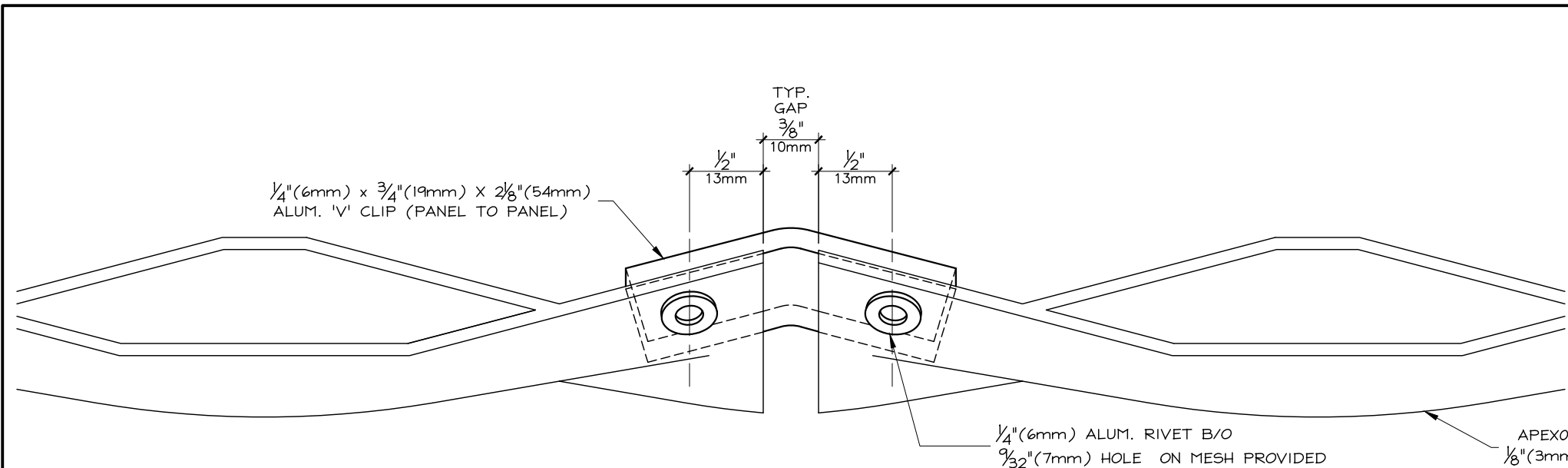
1 OVERLAP DETAILS - PLAN
SCALE: 6"=1'-0"

MESH STYLE - AMICO APEX03 1/8" ALUM MESH PANEL
FASTENERS - ALL OUTRIGGERS ARE C/W 1/4-20 SS FASTENERS TO CONNECT MESH TO OUTRIGGERS, ALL OTHER FASTENERS ARE B/O.

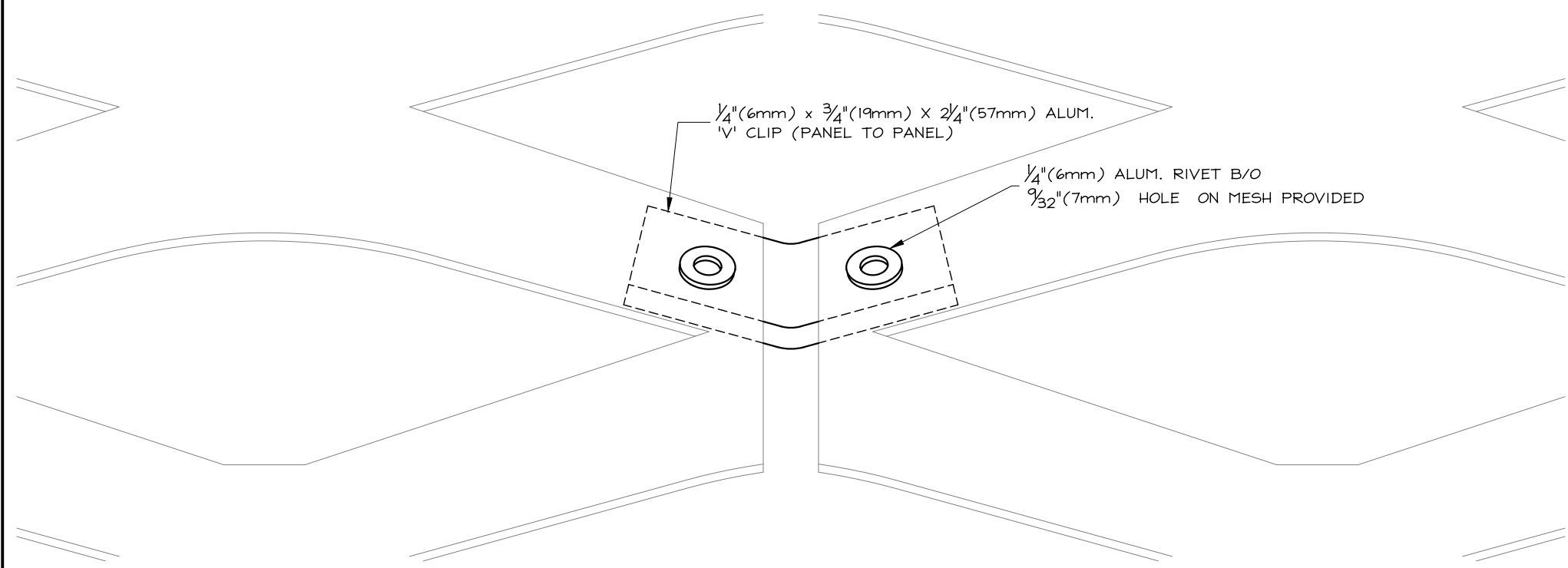


Customer **AMICO**
Drawing Title **OVERLAP DETAILS - PLAN**

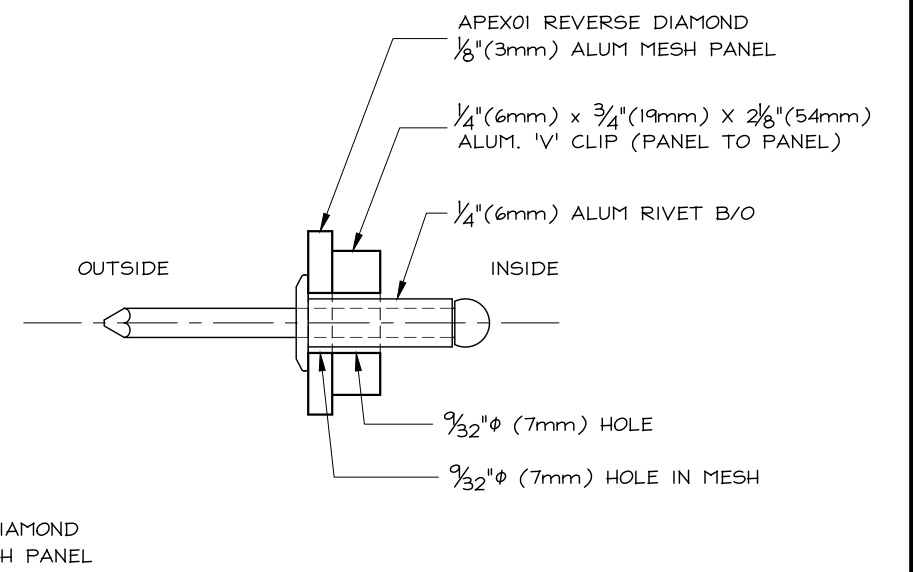
Project Name		REVISIONS	
Scale 6"=1'-0"	Project No.	Date	
Drawn By	Checked By	Dwg.No.	



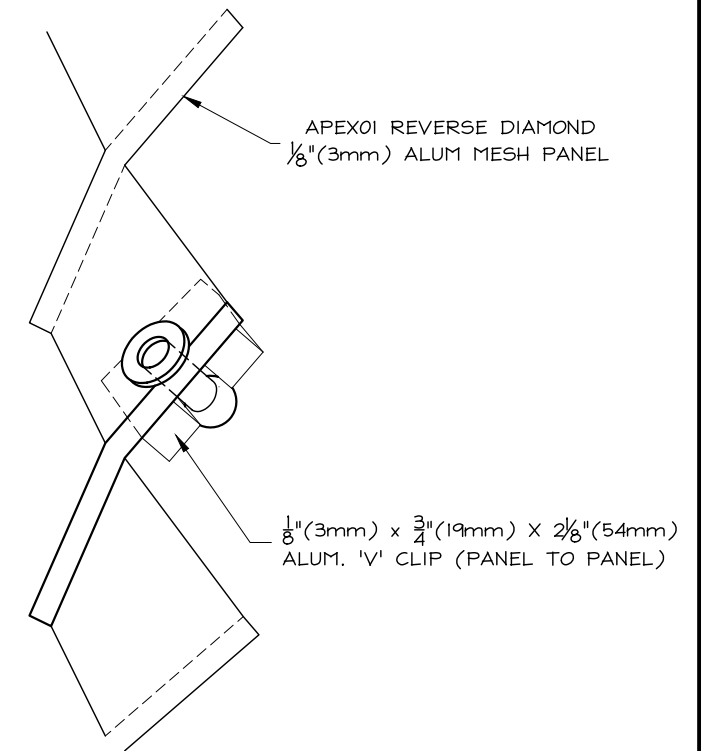
1 PLAN SECTION
SCALE- 1:1



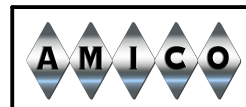
2 FRONT VIEW
SCALE- 1:1



4 TYP. RIVET CROSS SECTION
SCALE- 1:1

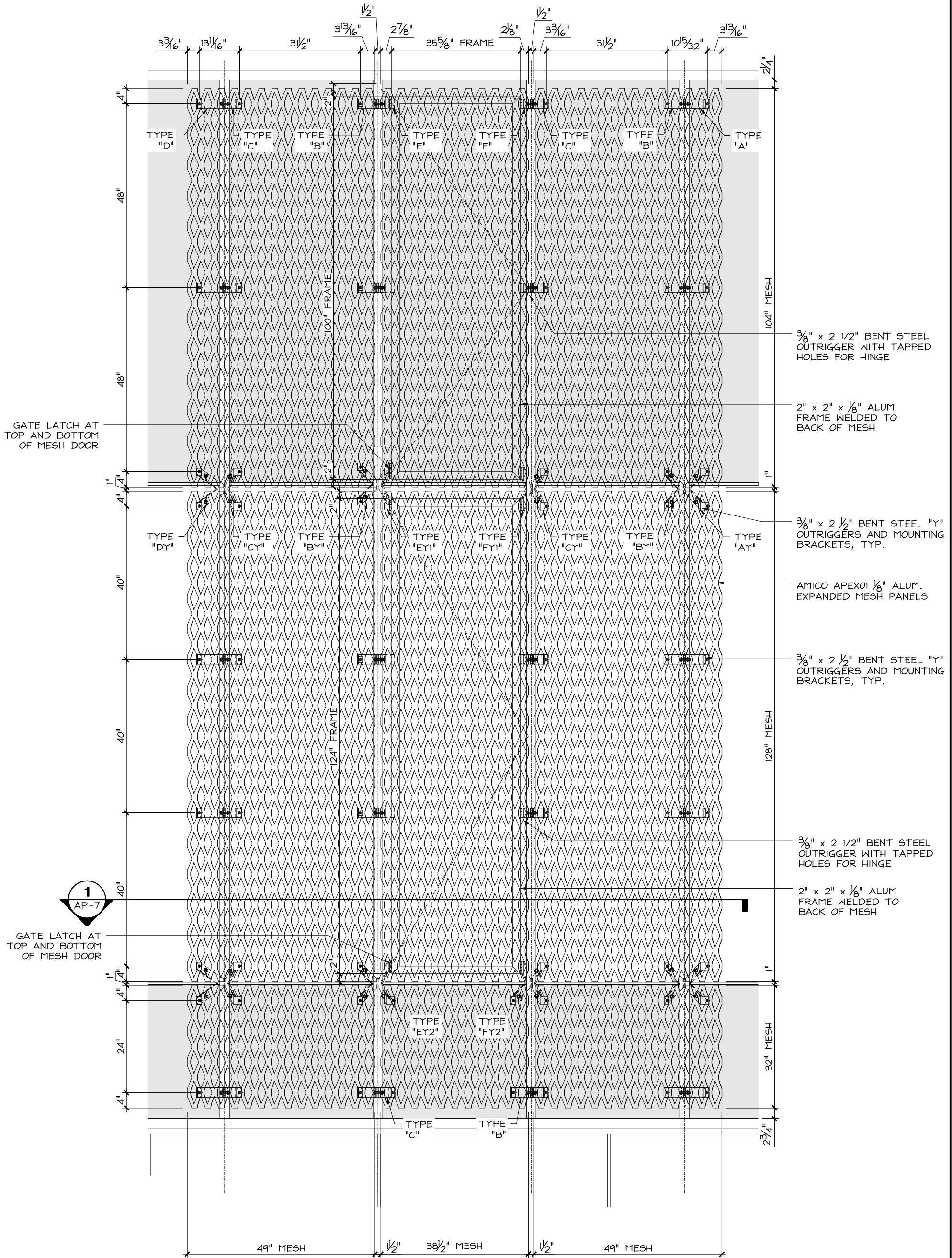


3 SIDE SECTION
SCALE- 1:1



Customer **AMICO**
Drawing Title **HORIZONTAL 'V' CLIP DETAIL (PANEL TO PANEL)**

Project Name		Date
Scale 1:1	Project No.	DEC. 17, 2018
Drawn By F.C	Checked By M.L.	Dwg.No. DT-08



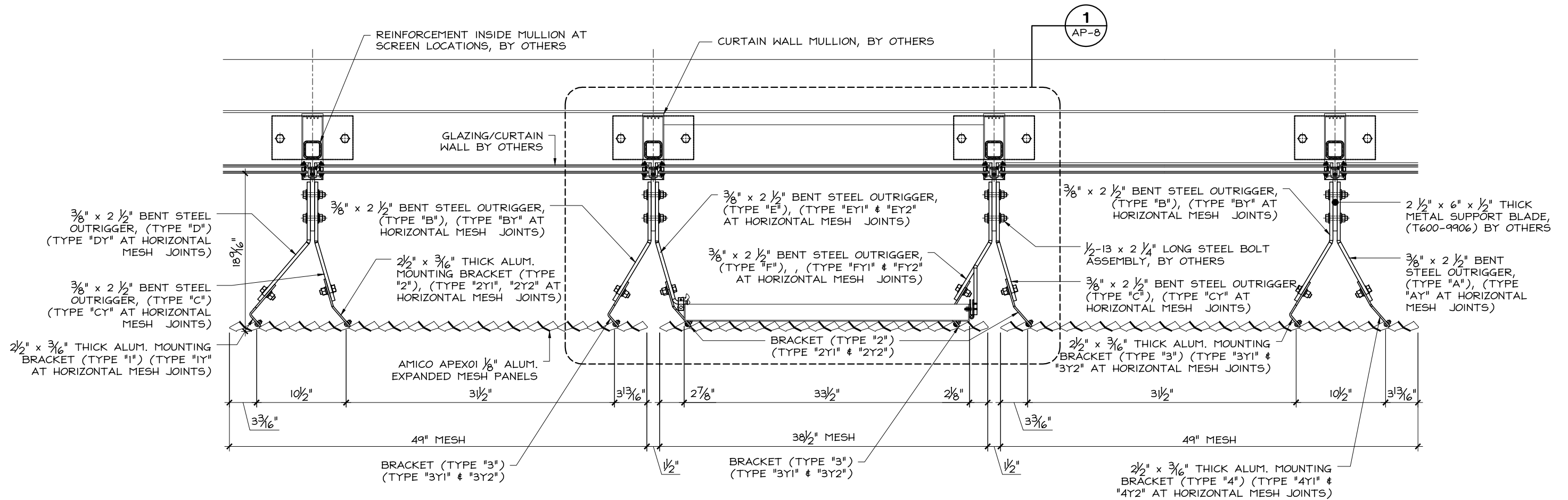
1 TRIPLE PANEL ELEVATION
SCALE: 1/2"=1'-0"

No.	DESCRIPTION	DATE
REVISIONS		



Customer:
Drawing Title: TYPICAL TRIPLE PANEL ELEVATION WITH CENTER DOOR

Project Name:
Scale:
Drawn By:
Project No.:
Checked By:
Date:
Dwg. No.:



1 PLAN SECTION AT TRIPLE PANELS
SCALE: 1"=1'-0"

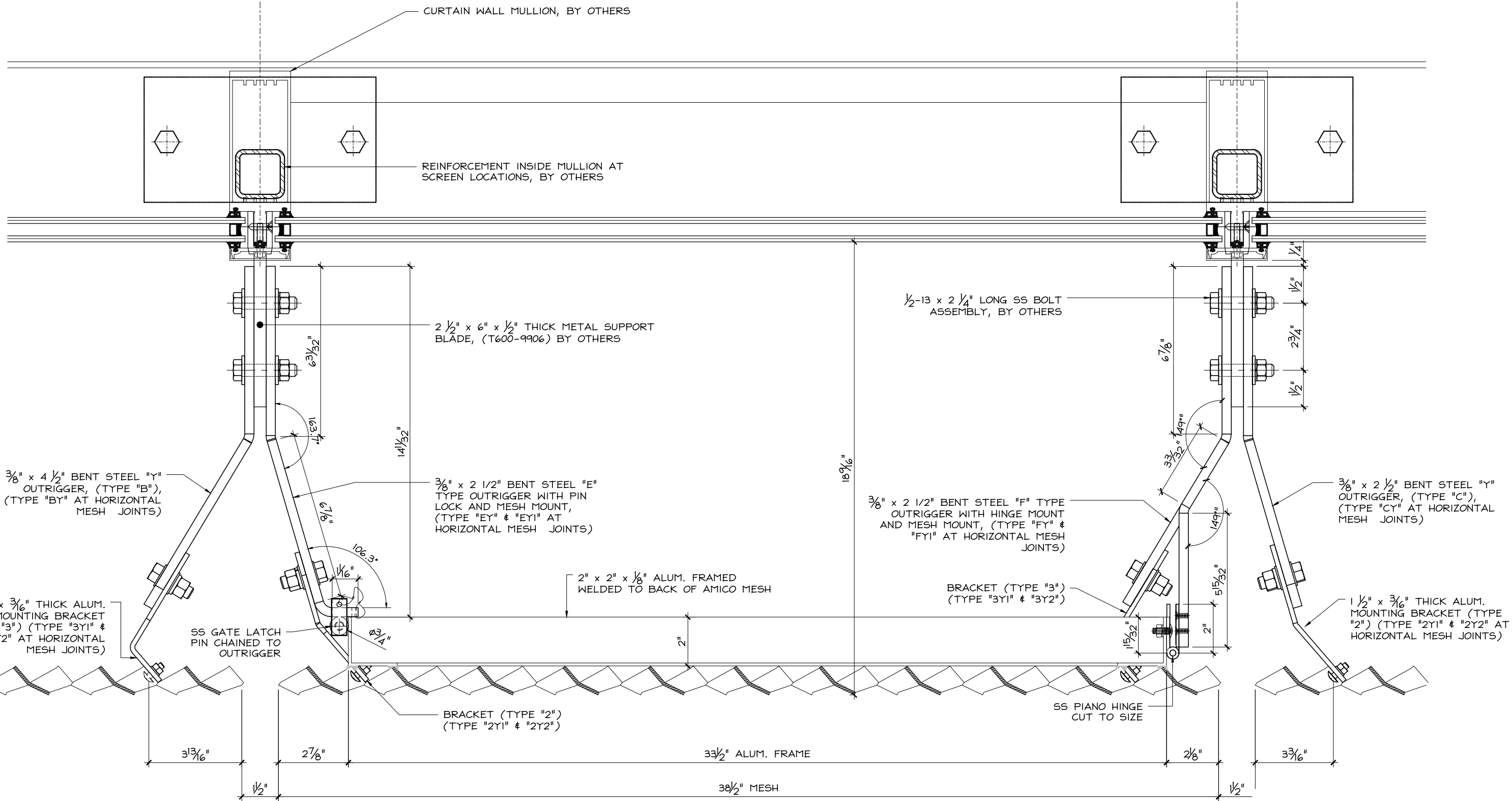
PLAN SECTION AT Y BRACKETS

No.	DESCRIPTION	DATE
REVISIONS		



Customer:
Drawing Title: TYPICAL PLAN SECTION THROUGH TRIPLE PANELS

Project Name:
Scale: 1"=1'-0" Project No.: Date:
Drawn By: Checked By: Dwg. No.:



1 DOOR PANEL PLAN DETAIL
SCALE: 3"=1'-0"

No.	DESCRIPTION	DATE
REVISIONS		



Customer:	Project Name:
Drawing Title: SECTION DETAIL OF DOOR PANEL	Scale: 3"=1'-0"
	Project No.:
	Checked By:
	Date:
	Dwg. No.: